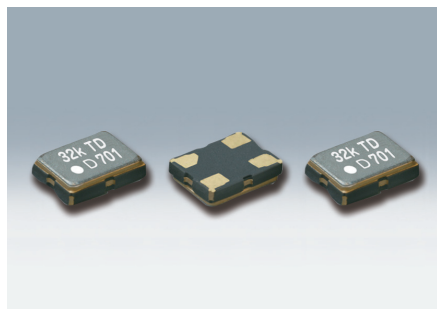


SMD TCXO

DSK321STD/DSK321STA



Actual size

Features

- Digital temperature compensated type(DSK321STD)
- Analog temperature compensated type(DSK321STA)
- High precision: $\pm 5.0 \times 10^{-6}$ ($-40 \sim +85^{\circ}\text{C}$)
 $\pm 3.8 \times 10^{-6}$ ($-10 \sim +60^{\circ}\text{C}$)
- Low current consumption
- Low voltage operation: $+1.1 \sim +3.6\text{V}$ (DSK321STA)
- Moisture prevention packing is unnecessary.
Moisture Sensitivity Level: Level 1 (IPC/JEDEC J-STD-033)
- AEC-Q 100 compliant



Applications

- High precision clock source
- High precision clock source for RTC

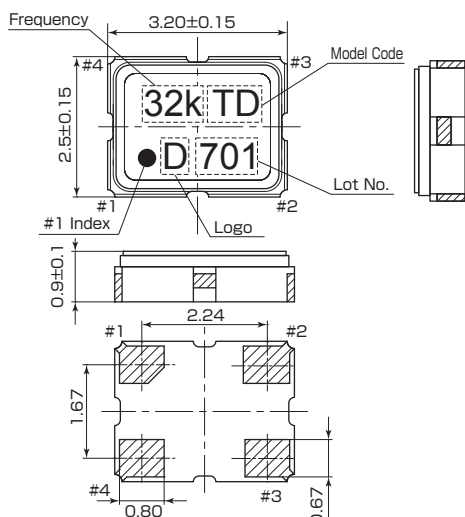
Standard Specification

Item	Legend	Spec.				Condition		
		min.	typ.	max.	Unit			
Output Frequency	fo	—	32.768	—	kHz			
Supply Voltage Range	Vcc	+2.0	—	+5.5	V	(Temperature Compensated Operating)		
		+1.3	—	+5.5		(Clock Timing Operating)		
		+1.1	—	+3.6	V			
Frequency Tolerance	f_tol	-5.0	—	+5.0	$\times 10^{-6}$	-40~+85°C		
		-3.8	—	+3.8		-10~+60°C		
Current Consumption	Icc	—	+1.2	+2.5	μA	Vcc=+3.3V, Temperature Compensation Interval:0.5s, No Load		
		—	+1.7	+3.2		Vcc=+5.0V, Temperature Compensation Interval:0.5s, No Load		
		—	+1.0	+2.0		Vcc=+3.3V, Temperature Compensation Interval:2.0s, No Load		
		—	+1.5	+3.0		Vcc=+5.0V, Temperature Compensation Interval:2.0s, No Load		
			—	+1.05	+2.4	μA	Vcc=+1.2V, Temperature Compensation Interval:0.5s, No Load	
			—	+1.15	+2.5		Vcc=+1.8V, Temperature Compensation Interval:0.5s, No Load	
			—	+0.85	+2.1		Vcc=+1.2V, Temperature Compensation Interval:2.0s, No Load	
			—	+0.95	+2.2		Vcc=+1.8V, v2.0s, No Load	
Symmetry	SYM	40	50	60	%	at 50% Vcc		
0 Level Output Voltage	Vol	—	—	+0.4	V			
1 Level Output Voltage	VoH	Vcc-0.4	—	—	V			
Rise and Fall Time	tr, tf	—	—	50	ns	Vcc=+2.0~+5.5V, 10~90% Vcc Level		
		—	—	200		Vcc=+1.3~+5.5V, 10~90% Vcc Level		
		—	—	50	ns	Vcc=+1.5~+3.6V, 10~90% Vcc Level		
		—	—	200		Vcc=+1.1~+1.5V, 10~90% Vcc Level		
Load Condition	L_cmos	—	—	15	pF			
Start Up Time	Tstart	—	—	3.0	s	DSK321STD		
		—	—	1.0	s	DSK321STA		
Packing Unit		2000pcs./reel ($\phi 180$)						

Consult our sales representative for other specifications.

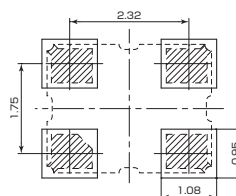
[mm]

Dimensions



Recommended Land Pattern

<Top View>



Model Code
TD:DSK321STD
TA:DSK321STA

Pin Connections	
Pin No.	Connection
#1	Vcc
#2	GND
#3	Output
#4	Vcc