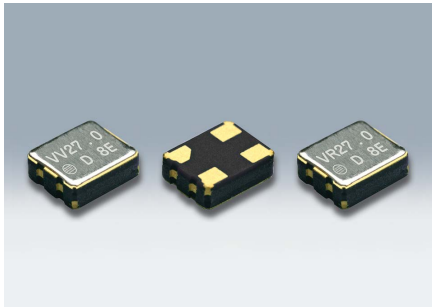


SMD Voltage Controlled Crystal Oscillators

DSV221SV/DSV221SR



Actual size

■ Features

- 2520 size, 0.815mm high. miniature SMD-VCXO
- The product is an analog VCXO which ensures good variable frequency and a linear changing frequency
- Low current consumption



■ Applications

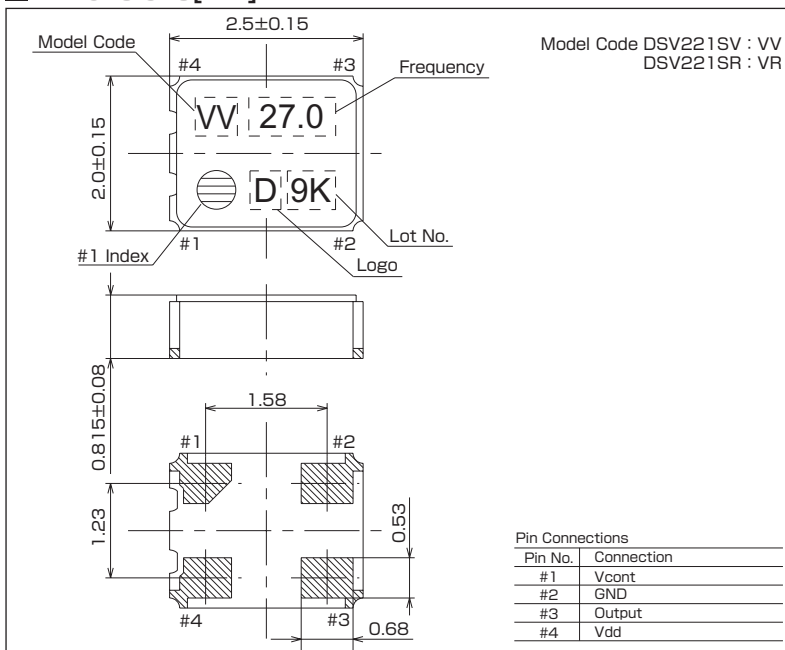
- Tuner modules for terrestrial digital media broadcasting, Media Player, PND
- DVD, digital TV, STB

■ Standard Specification

Item	Type	Legend	DSV221SV		DSV221SR
Supply Voltage	Vdd		+2.8±0.14V	+3.3±0.3V	+1.8±0.09V
Output Frequency Range	fo		27~40MHz		
Frequency Control Voltage	Vcont		+1.4±1.4V	+1.65±1.65V	+0.9±0.9V
Storage Temperature Range	T_stg		-40~+85°C		
Operating Temperature Range	T_use		-30~+85°C		
Frequency Tolerance	f_tol		±40×10 ⁻⁶ max.		
Frequency Adjustment Range	f_cont		±125×10 ⁻⁶ min. [Positive Slope]		±110×10 ⁻⁶ min. [Positive Slope]
Current Consumption	Idd		3mA max. [No Load]	4mA max. [No Load]	1.5mA max. [No Load]
0 Level Output Voltage	Vol		Vdd×0.1 max.		
1 Level Output Voltage	Voh		Vdd×0.9 min.		
Symmetry	SYM		45~55% [50% Vdd Level]		
Rise and Fall Time	tr, tf		10ns max. [10~90% Vdd Level]		
Load Condition	L_CMOS		15pF		
Packing Unit	-		2000pcs./reel (φ180)		

Consult our sales representative for other specifications.

■ Dimensions[mm]



■ Recommended Land Pattern [mm]

