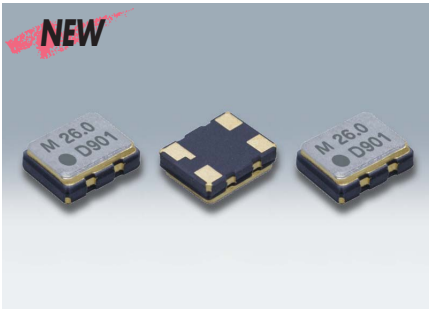


Ultra miniature SMD VC-TCXO / TCXO

DSA221SJ/DSB221SJ

for Industrial Radio system



Actual size

■ Features

- Supply voltage up to +2.3~+3.6V
- CMOS Level Output
- Low phase noise
- Single package structure
- Prevention of moisture packing is unnecessary.
Moisture Sensitivity Level: LEVEL 1 (IPC/JEDEC J-STD-033)



■ Applications

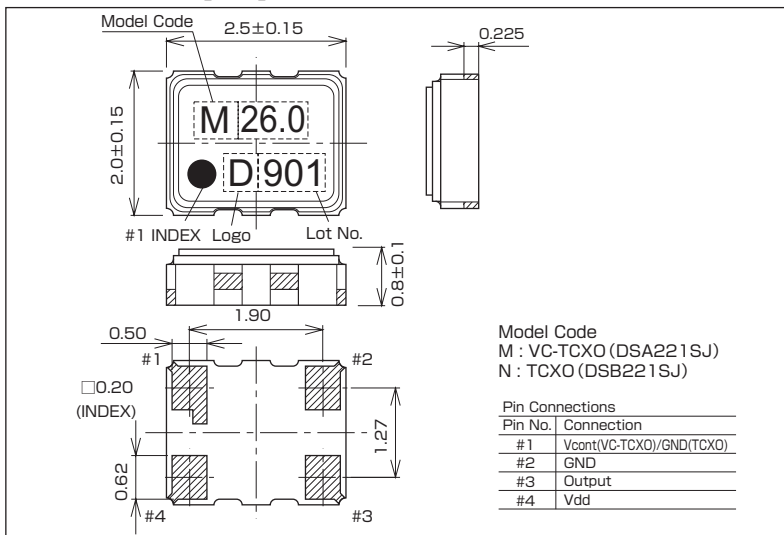
- Industrial radio communications

■ Standard Specification

| Item | Type | VC-TCXO | | TCXO | |
|------------------------|------|---|-----------------|------------|--|
| | | DSA221SJ | | DSB221SJ | |
| Output Frequency Range | | 10~40MHz | | | |
| Standard Frequency | | 13/ 19.2/ 20/ 26/ 38.4/ 40MHz | | | |
| Supply Voltage (Vdd) | | +2.6V / +2.8V / +3.0V / +3.3V | | | |
| Current Consumption | | +4.0mA max. (f≤26MHz) / +6.0mA max. (f>26MHz) | | | |
| 0 Level Output Voltage | | Vdd×0.1V | | | |
| 1 Level Output Voltage | | Vdd×0.9V | | | |
| Rise and Fall Time | | 10ns max. (10%~90% Vdd Level) | | | |
| Output Load | | 15pF | | | |
| Frequency Stability | | | | | |
| Tolerance | | ±1.5×10 ⁻⁶ max. (After 2 reflows) | | | |
| vs. Temperature | | ±2.5×10 ⁻⁶ max./ -30 ~+85°C | | | |
| vs. Supply Voltage | | ±0.3×10 ⁻⁶ max. (Vdd±5%) | | | |
| vs. Aging | | ±1.0×10 ⁻⁶ max. /year | | | |
| Start up Time | | 2.0ms max. | | | |
| Frequency Control | | | | | |
| Control Sensitivity | | ±9×10 ⁻⁶ ±15×10 ⁻⁶ / Vcont=+1.5V±1.0V | | - | |
| Response Slope | | Positive | | - | |
| Phase Noise | | [f≤15MHz] | [15MHz<f≤26MHz] | [f>26MHz] | |
| Offset 100Hz | | -115dBc/Hz | -110dBc/Hz | -105dBc/Hz | |
| Offset 1kHz | | -135dBc/Hz | -130dBc/Hz | -125dBc/Hz | |
| Offset 10kHz | | -145dBc/Hz | -140dBc/Hz | -135dBc/Hz | |
| Offset 100kHz | | -145dBc/Hz | -145dBc/Hz | -145dBc/Hz | |
| Packing Unit | | 2000pcs./reel (φ 180) | | | |

Consult our sales representative for other specifications.

■ Dimensions[mm]



■ Recommended Land Pattern [mm]

